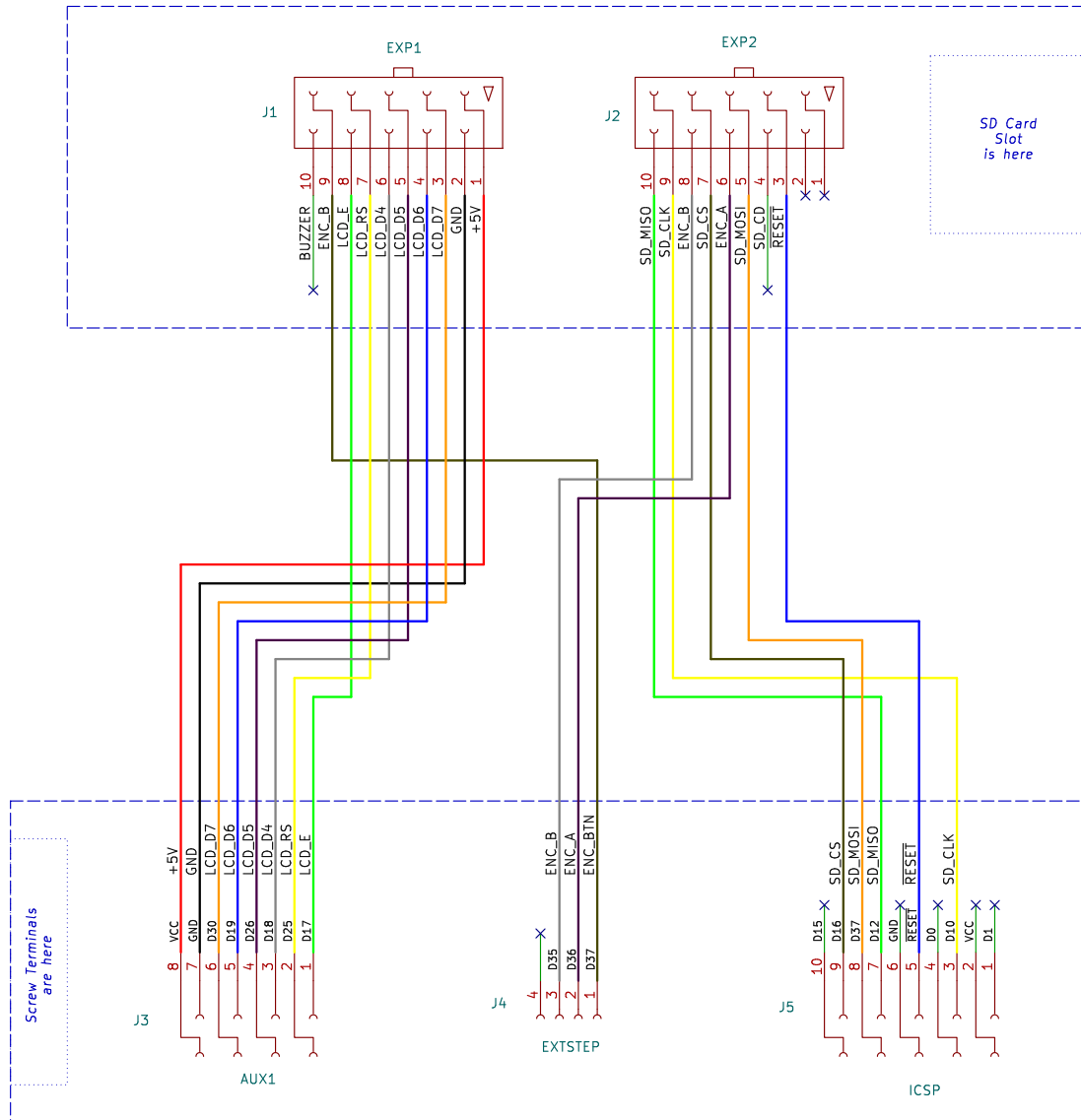


RepRapDiscount Smart Controller
Back side



Minitronics v1.1 board
Top (component) side

Configuration.h

```
#define SDSUPPORT

// 20x4 Character LCD
#define REPRAP_DISCOUNT_SMART_CONTROLLER

// 16x2 Character LCD
// #define MAKEBOARD_MINI_2_LINE_DISPLAY_1602

#if ENABLED(REPRAP_DISCOUNT_SMART_CONTROLLER) \
  || ENABLED(MAKEBOARD_MINI_2_LINE_DISPLAY_1602)

  /* We're using these pins for encoder,
   * can't support a second extruder. */
  #undef E1_STEP_PIN
  #undef E1_DIR_PIN
  #undef E1_ENABLE_PIN

  #define LCD_PINS_RS 25
  #define LCD_PINS_EN 17
  #define LCD_PINS_D4 18
  #define LCD_PINS_D5 26
  #define LCD_PINS_D6 19
  #define LCD_PINS_D7 30

  #define BTN_EN1 35
  #define BTN_EN2 36
  #define BTN_ENC 37
#endif
```

Cabling harness wiring
Lubomir Rintel

Sheet: /
File: lcd-cabling-harness.kicad_sch

Title: RepRapDiscount to Minitronics v1.1 cabling

Size: A4 Date: 2024-06-07
KiCad E.D.A. 8.0.1

Rev:
Id: 1/1